

Appraisal No: 000010095003

Purpose of Appraisal
Function of Appraisal

Retail replacement value
Insurance

One stamped 14KT white gold lady's hand assembled diamond pendant with a Rhodium plated finish. Condition is new. One round brilliant cut diamond is bezel set in the center. A circular deep base has opening for a small chain to enter and leave the the pendant. Trademark is Stuller. Identified with markings of "14K". Containing:



One bezel set round brilliant cut diamond, measuring 5.90 - 5.81 x 3.49mm (depth est.) approximate weight of 0.73ct. Diamond was graded while set. Estimated and actual measurements were used to calculate the diamond weight by use of formulas. Color grade was obtained by use of colorimeter.

Clarity I-1 to I-2
Color I - K
Cut Good

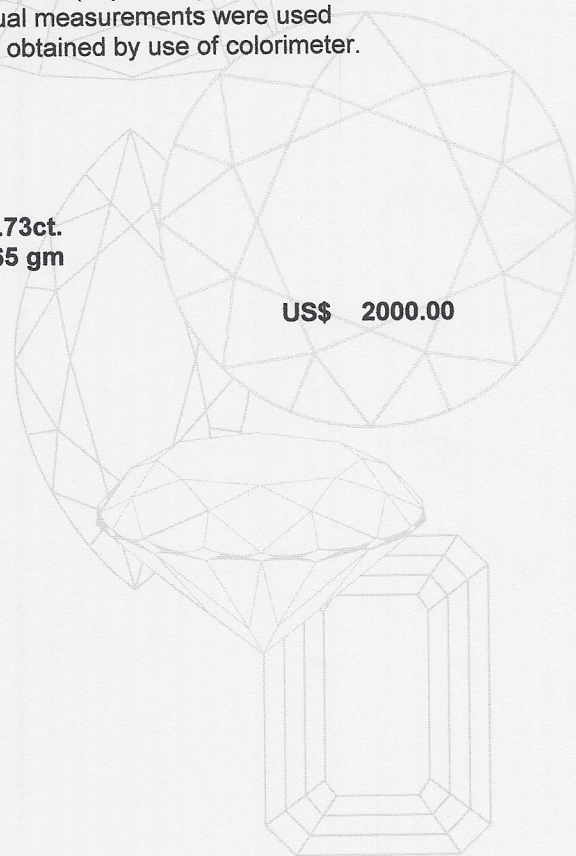
Total Weight of Diamonds
Total Weight of Pendant

0.73ct.
1.65 gm

Total Retail replacement value

US\$ 2000.00

GOLD @ 1127.70 US



Date: April 5, 2010

James L. Peddicord
*** James L .Peddicord ***
*** Graduate Gemologist***